

Helping Farmers Feed America
Since 1984



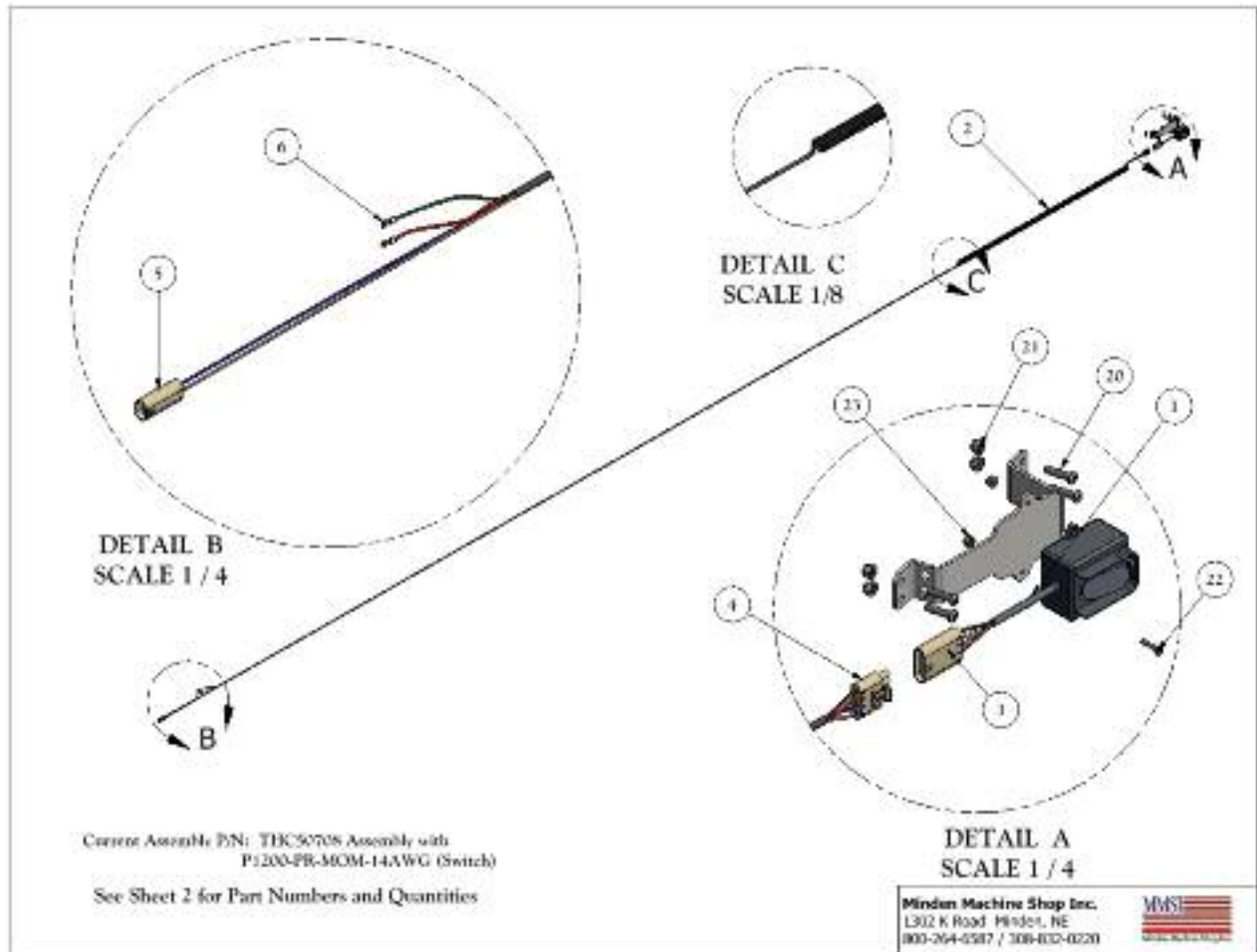
Seed Tender Wired Remote System Installation Manual



Patriot Equipment
800-264-6587
www.patriotequip.com

Seed Tender Coiled Wire Assembly

ITEM	QTY	PART NUMBER	DESCRIPTION
1	1	P12001-PR-MOM-14AWG	Waterproof Reverse Polarity Rocker Switch 3 Position
2	1	Coiled Wire Loom	18 ga. wire ; 4 wire Loom
3	1	12010974	4 pin Weather Pack Male
4	1	12015797	4 pin Weather Pack Female
5	1	12010973	2 pin Weather Pack Male
6	2	2-36151-2	Ring Terminal PIDG 22-16AWG Red 6
19	1	10825	Formed Switch Handle
20	4	1/4 x 1 BHCS	Hexagon Socket Button Head Cap Screw
21	4	1/4 Std NC Nylock Nut	1/4 Std NC Nylock Nut
22	2	#8-3-4UNC	#8 x 3/4" Machine Screw (Phillips)
23	2	Nylock Nut, Inch UNC 8-32	#8 Std NC Nylock Nut

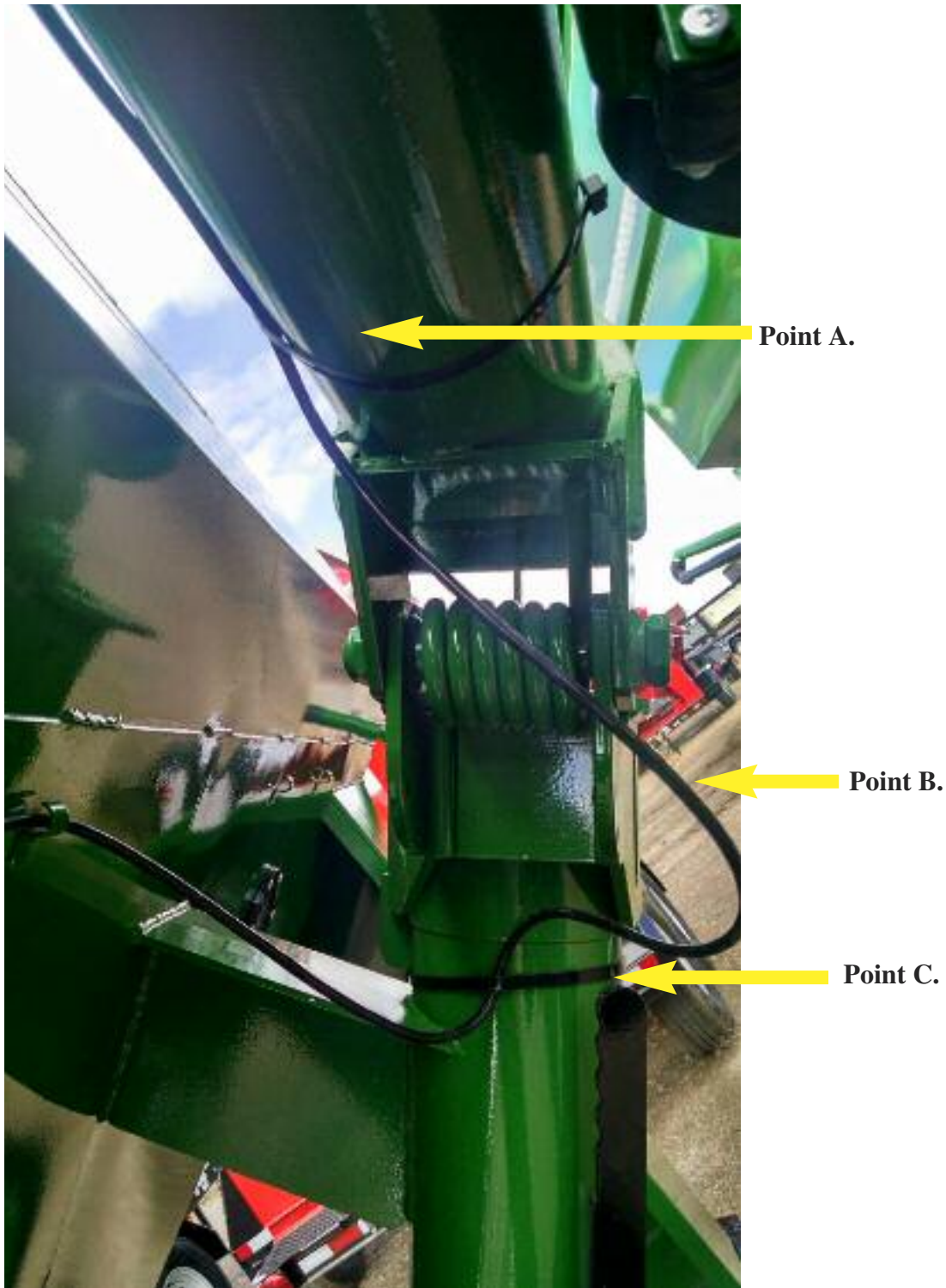




Locate the position on the cable where the coiled cable transitions to the straight cable. At this junction, attach the cable to the auger spout on the backside of the upper auger tube. Use a heavy duty cable tie and attach the cable as shown in the above picture. The straight cable should follow the auger tube towards the seed tender and the coiled cable should follow the telescopic spout.



Use a heavy duty tie strap and attach the straight cable midway down the upper auger tube. Trim the cable tie. See above photo.



Attach the straight cable to the bottom of the upper auger tube (Point A). Leave some slack in the cable around the hinge area so the auger can fold without stretching the straight cable (Point B). Next, attach the straight cable to the top of the lower auger tube with a heavy duty cable tie (Point C). Finally, trim all cable ties.



Locate the cable tabs on the seed tender body. Place the straight cable in these tabs and bend the tab over to retain the cable. Repeat with all tabs on the seed tender body.



Locate the cable tabs on the inside of the front left leg of the seed tender. Transition the straight cable from the seed tender body to the seed tender leg.



Locate the cable tabs on the inside of the front left leg of the seed tender. Transition the straight cable from the seed tender body to the seed tender leg.



Attach the cable to the battery and the actuator. Locate the red wire from the cable and attach it to the positive (+) post on the battery using the attached 3/8" ring connector. Locate the black wire and attach it to the negative (-) post on the battery using the attached 5/16" ring connector. Tighten the fasteners. Next, locate the 2 pin connector on the straight cable and plug it into the 2 pin connector that is coming from the actuator. If you have excess cable, coil it up and place it behind the battery which will be between the battery and the seed tender leg.



Mount the formed switch handle on the telescopic spout. Begin by measuring 1-1/2" from the end of the telescopic spout to the formed switch handle. Using the formed switch handle as a template, mark the four mounting holes. Use a 1/4" drill bit and drill the 4 holes that you marked. Remove any burrs. Next, mount the rocker switch to the formed switch handle use 2 - #8 x 3/4" machine screws with 2 - #8 nylock nuts. Tighten the screws, but be careful so you don't over tighten and crack the plastic case. Now, mount the formed switch handle to the spout using 4 - 1/4" x 1" socket button head cap screws with 4 - 1/4" nylock nuts. Be sure to have the nuts to the outside as shown in the above picture. Tighten all fasteners, be careful not to over tighten as the plastic tube could crack.



Go back to where the cable transitions from a straight cable to a coiled cable. Loop the coiled cable around the telescopic spout as shown in the picture.



Plug in the coiled cable plug into the rocker switch plug. Use 2 heavy duty cable ties and fasten as shown in the picture. Place the rubber retainer under the formed handle and latch in place. This will retain the spout in the transport position.