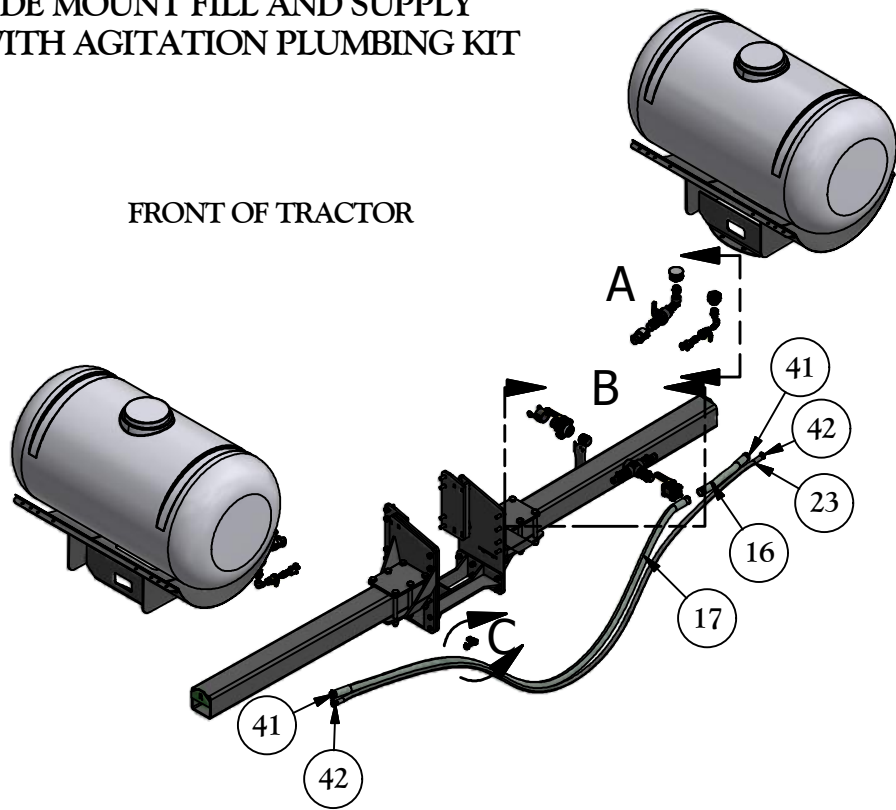
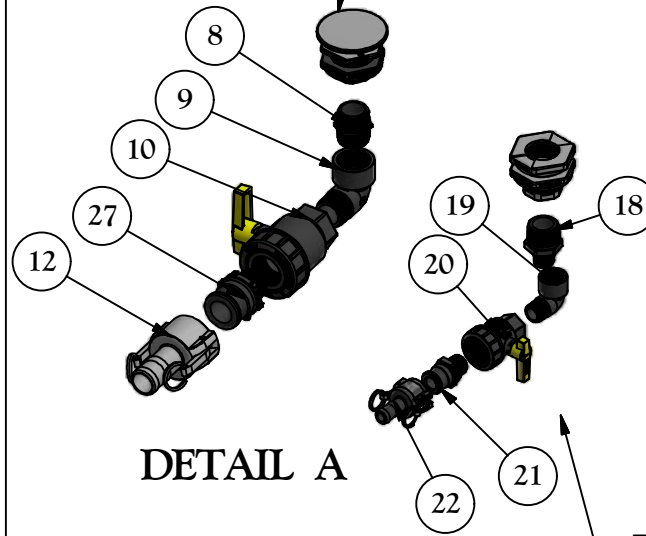


**OP10
SIDE MOUNT FILL AND SUPPLY
WITH AGITATION PLUMBING KIT**

FRONT OF TRACTOR



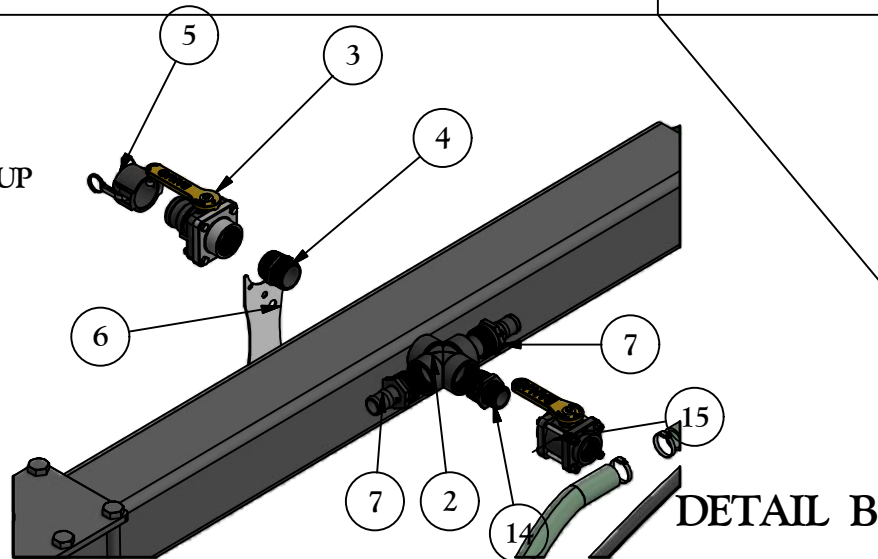
BUNGS ARE INCLUDED WITH TANKS



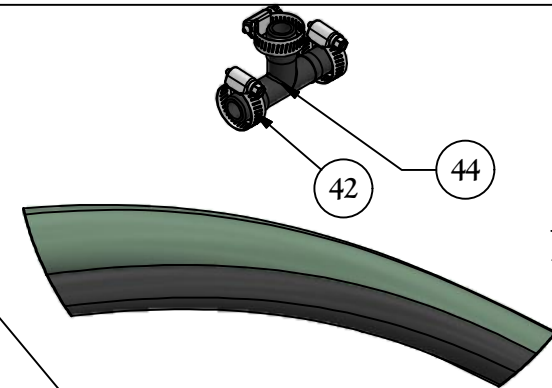
DETAIL A

RIGHT AND LEFT TANKS HAVE THE SAME SET UP

FILL SET UP



DETAIL B



DETAIL C

Minden Machine Shop Inc.
1302 K Road Minden, NE
800-264-6587 / 308-832-0220

OP10 PLUMBING PARTS

Parts List			
ITEM	QTY	PART NUMBER	DESCRIPTION
2	1	CR200	2" CROSS
3	1	VSF204FP	2" VALVE
4	1	NIP200-SH	2" NIPPLE
5	1	200CAP	2" CAP
6	1	2 inch valve mount	2" VALVE MOUNT FLAT
7	2	HB200-150	1-1/2" HB X 2" MPT
8	1	NIP125-SH	1-1/4" NIPPLE
9	1	SL125-90	1-1/4" ST. ELBOW
10	1	UV125FPCA	1-1/4" UNION VALVE
12	1	150C	1-1/2" FEMALE CAM X 1-1/2" HB
14	1	RN200-150	2" - 1-1/2" RED. NIPPLE
15	1	V150	1-1/2" VALVE
16	1	Right Side Supply Hose	1-1/2" HOSE
17	1	Left Side Supply Hose	1-1/2" HOSE
18	1	RN125-075	1-1/4" - 3/4" REDUCING NIPPLE
19	1	SL075-90	3/4" STREET ELBOW
20	1	UV075FP	3/4" UNION VALVE
21	1	075F	3/4" MALE CAM X MPT
22	1	075C	3/4" FEMALE CAM X HB
23	1	Agitation Hose	3/4" BLACK HOSE
27	1	150125F	1-1/2 MALE ADAPTER X 1-1/4" MPT
41	2 - 4	10.07.10.00004	2" Hose clamp (qty dependent upon kit type)
42	5	Hose Clamp Size 16	3/4" Dia Hose Clamp
44	1	HBT075	3/4" HOSE BARB TEE