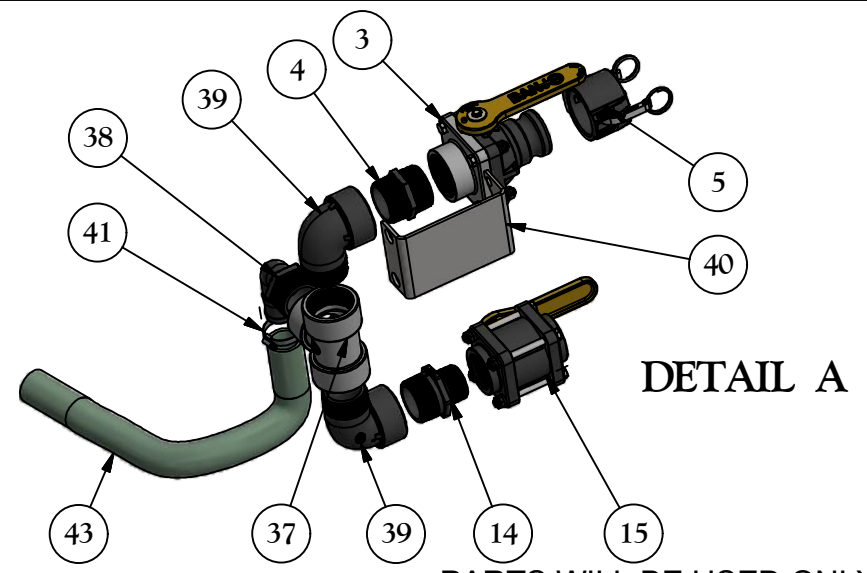
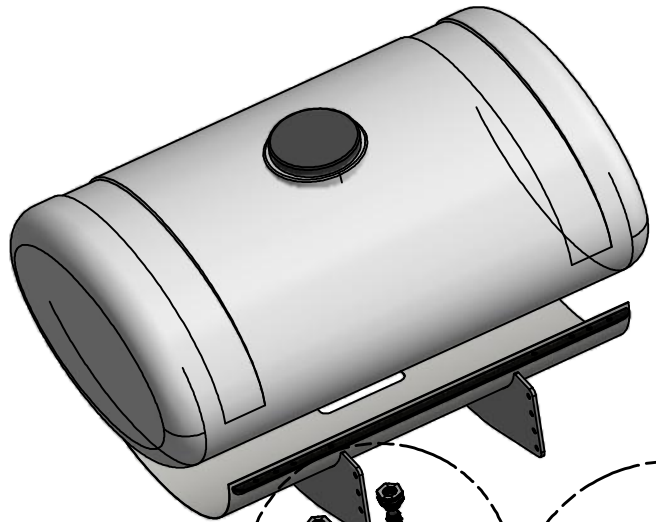
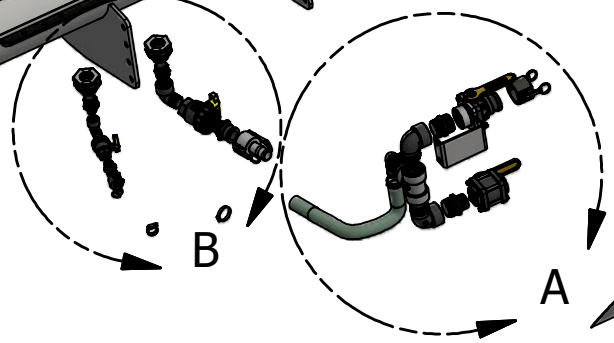


OP12
FRONT MOUNT
FILL/SUPPLY/AGITATION
PLUMBING KIT

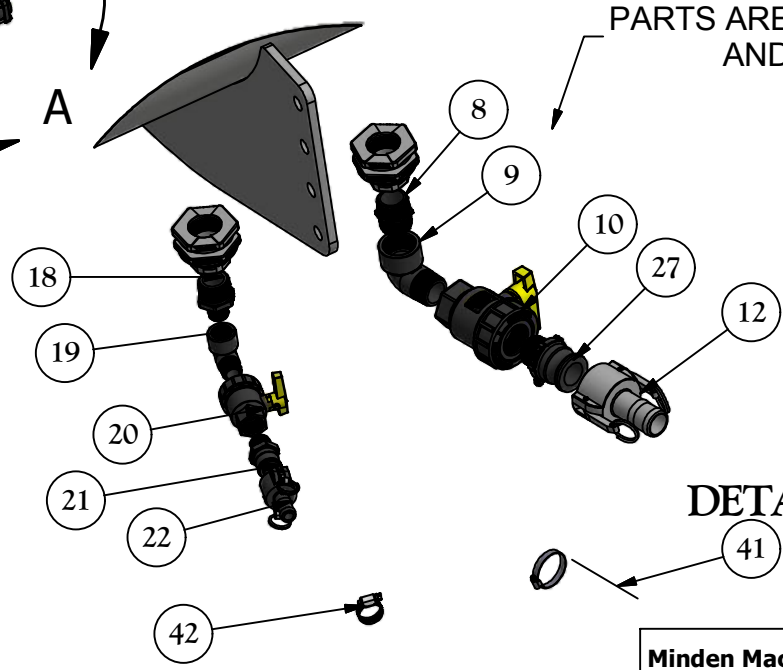


DETAIL A

PARTS WILL BE USED ONLY
IF FRONT MOUNT IS INDEPENDENT
OF OTHER TANKS OR ALONE

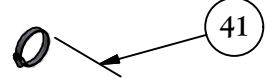


PARTS USED FOR
AGITATION ONLY



DETAIL B

PARTS ARE USED FOR FILL
AND SUPPLY



Minden Machine Shop Inc.
1302 K Road Minden, NE
800-264-6587 / 308-832-0220

OP12 PLUMBING PARTS

Parts List			
ITEM	QTY	FILE NAME	DESCRIPTION
3	1	VSF204FP.iam	2" VALVE
4	1	NIP200-SH.ipt	2" NIPPLE
5	1	200CAP.iam	2" CAP
8	1	NIP125-SH.ipt	1-1/4" NIPPLE
9	1	SL125-90.ipt	1-1/4" ST. ELBOW
10	1	UV125FPCA.iam	1-1/4" UNION VALVE
12	1	150C.ipt	1-1/2" FEMALE CAM X 1-1/2" HB
14	1	RN200-150.ipt	2" - 1-1/2" RED. NIPPLE
15	1	V150.iam	1-1/2" VALVE
18	1	RN125-075.ipt	1-1/4" - 3/4" REDUCING NIPPLE
19	1	SL075-90.ipt	3/4" STREET ELBOW
20	1	UV075FP.iam	3/4" UNION VALVE
21	1	075F.ipt	3/4" MALE CAM X MPT
22	1	075C.iam	3/4" FEMALE CAM X HB
27	1	150125F.ipt	1-1/2 MALE ADAPTER X 1-1/4" MPT
37	1	TEE200.ipt	2" TEE
38	1	HB200-150-90.ipt	2" MPT X 1-1/2" HOSE BARB X 90
39	2	SL200-90.ipt	STREET ELBOW 2"
40	1	2-0 Valve Mount.ipt	FRONT 2" VALVE MOUNT
41	2 - 4	schmalz_10_07_10_00004_7fmki6vs5yp giyk4byhp9dkub.iam	2" Hose clamp (qty dependent upon kit type)
42	5	Hose Clamp Size 16.ipt	3/4" Dia Hose Clamp
43	1	Front Mount Suction Hose.ipt	1-1/2" SUCTION HOSE