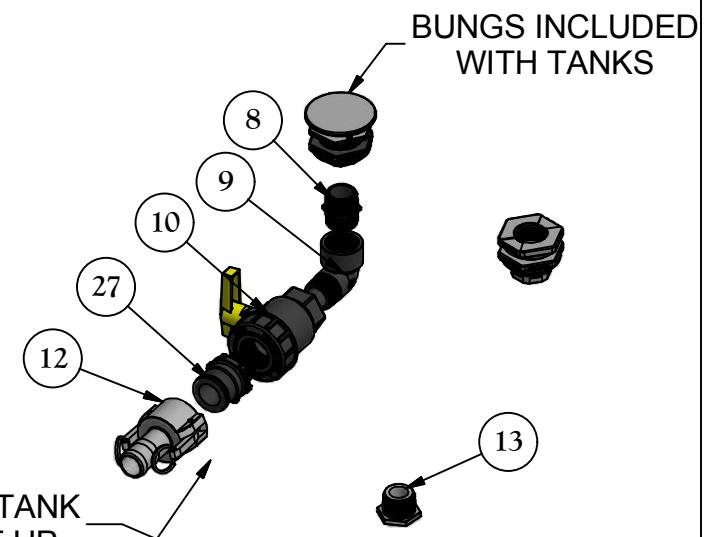
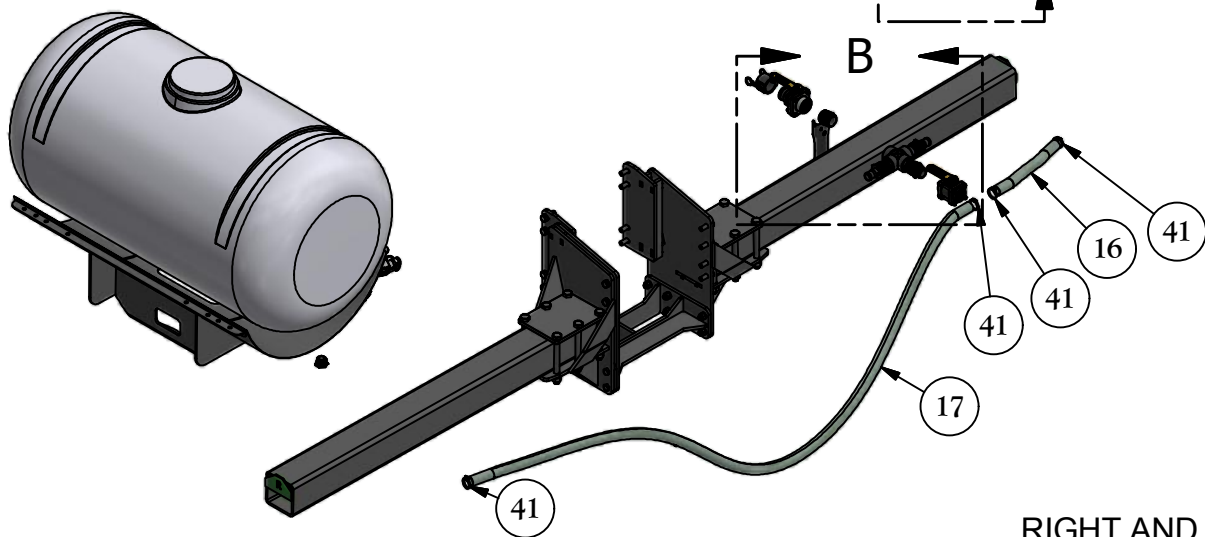
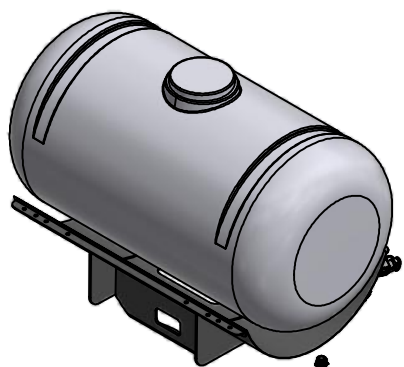


USE TEFLON TAPE AND PIPE THREAD SEALANT ON ALL JOINTS

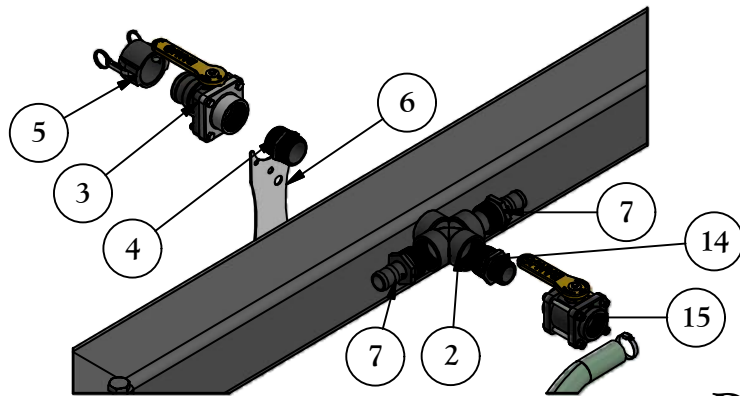
OP9 SIDE MOUNT FILL AND SUPPLY PLUMBING KIT

FRONT OF TRACTOR



RIGHT AND LEFT TANK
HAVE SAME SET UP

FILL SET-UP



DETAIL B

DETAIL A

Minden Machine Shop Inc.
1302 K Road Minden, NE
800-264-6587 / 308-832-0220

OP9 PLUMBING PARTS

Parts List			
ITEM	QTY	PART NUMBER	DESCRIPTION
2	1	CR200	2" CROSS
3	1	VSF204FP	2" VALVE
4	1	NIP200-SH	2" NIPPLE
5	1	200CAP	2" CAP
6	1	2 inch valve mount	2" VALVE MOUNT FLAT
7	2	HB200-150	1-1/2" HB X 2" MPT
8	1	NIP125-SH	1-1/4" NIPPLE
9	1	SL125-90	1-1/4" ST. ELBOW
10	1	UV125FPCA	1-1/4" UNION VALVE
12	1	150C	1-1/2" FEMALE CAM X 1-1/2" HB
13	1	PLUG125	1-1/4" PLUG
14	1	RN200-150	2" - 1-1/2" RED. NIPPLE
15	1	V150	1-1/2" VALVE
16	1	Right Side Supply Hose	1-1/2" HOSE
17	1	Left Side Supply Hose	1-1/2" HOSE
27	1	150125F	1-1/2 MALE ADAPTER X 1-1/4" MPT
41	2 - 4	10.07.10.00004	2" Hose clamp (qty dependent upon kit type)