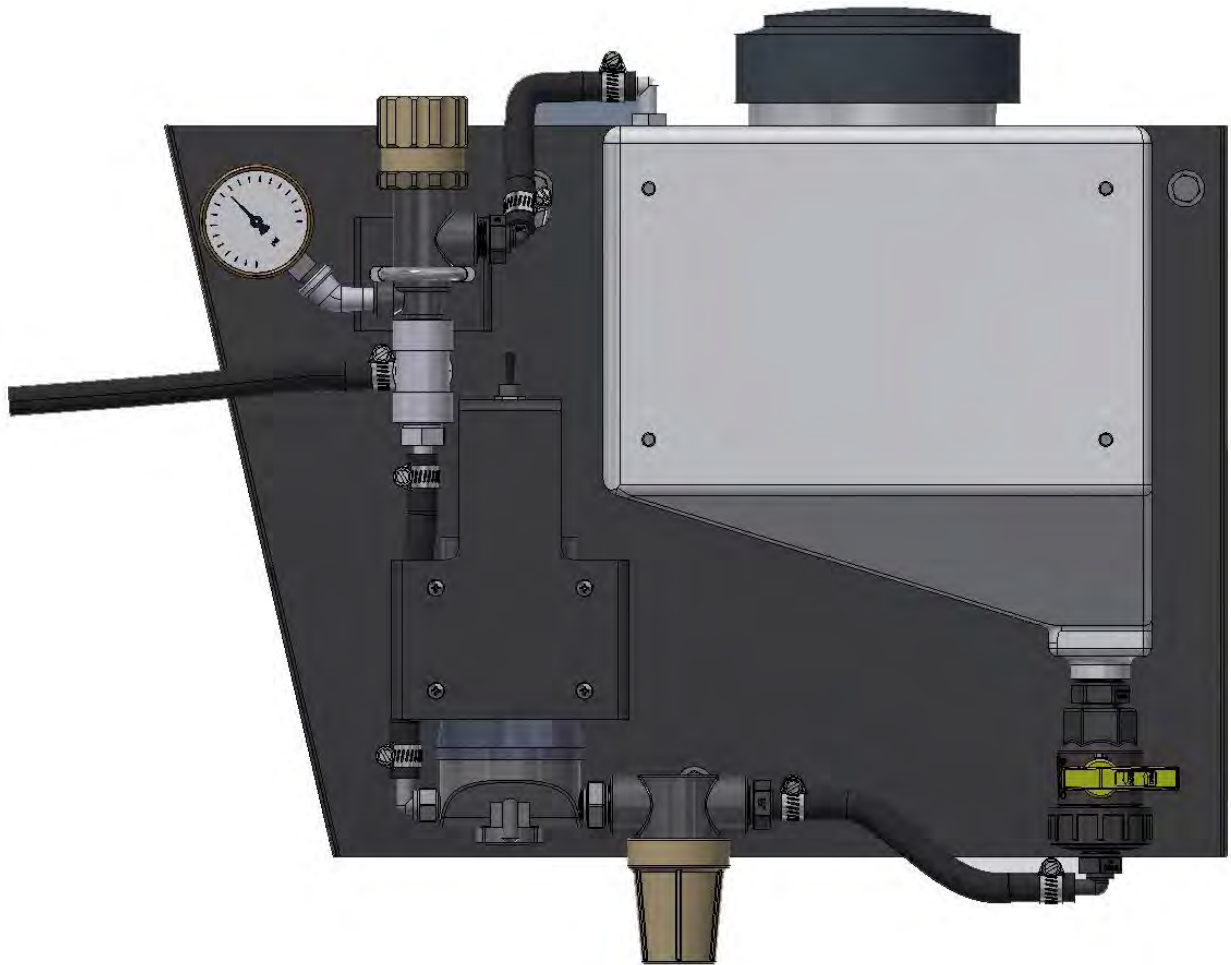




Patriot Seed Treater

Owner's Manual

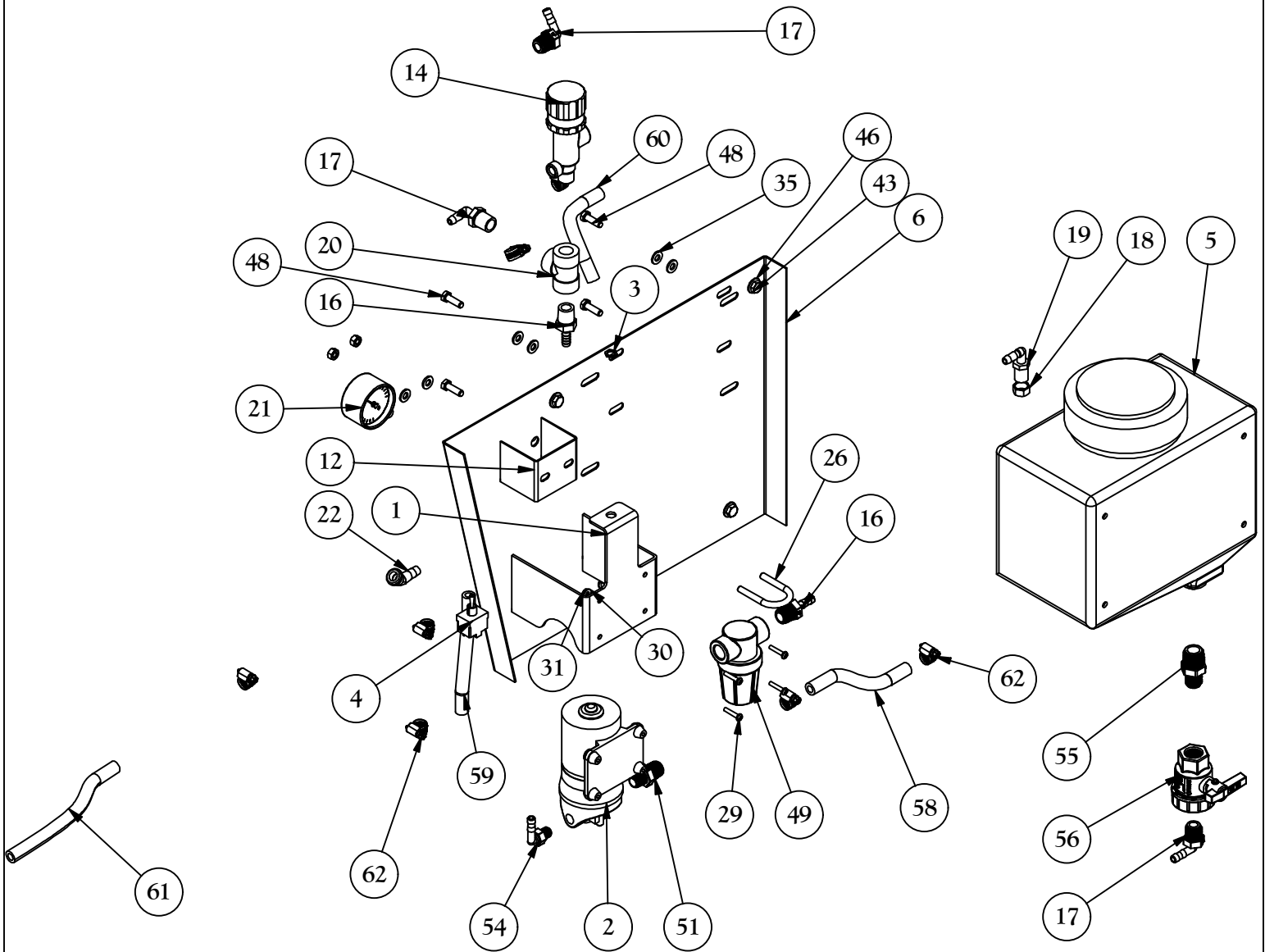


Manufactured by
Minden Machine Shop Inc.
1302 K Rd
Minden, NE 68959
1-800-264-6587

TABLE OF CONTENTS

Wet Inoculator Parts	3
Wet Inoculator Wiring	7
Assembling Wet Inoculator	8
ST-WI-1 (100, 110, 200, 220, & 330 Seed Tenders)	10
ST-WI-2 (100C & 245C Seed Tenders)	13
ST-WI-3 (345C & 445C Seed Tenders)	16
Seed Treatment Guide	19
Warranty	20

Wet Inoculator Exploded View



Minden Machine Shop Inc.
1302 K Road Minden, NE
800-264-6587 / 308-832-0220

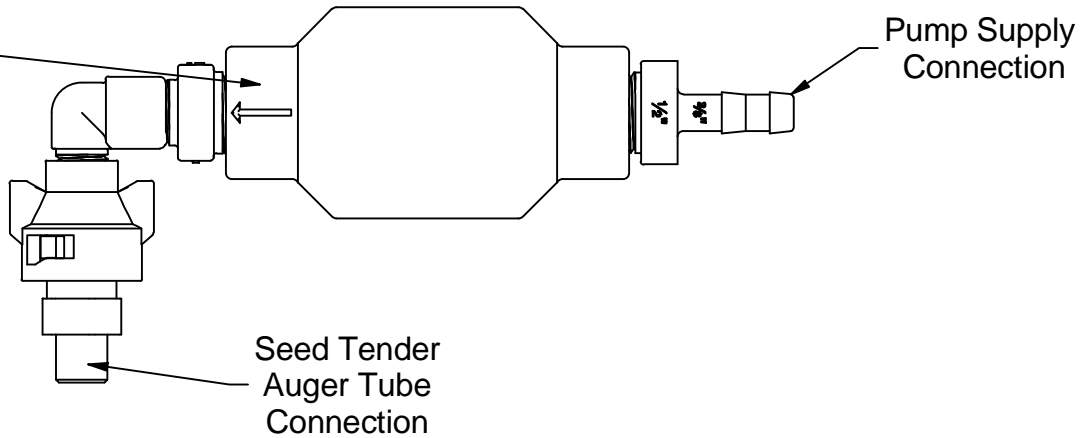
Wet Inoculator Parts List			
ITEM	QTY	PART NUMBER	DESCRIPTION
1	1	WI1026	Pump Switch Bracket
2	1	WI1000	Pump
4	1	WI1030	Toggel Switch - 3 Position Momentary
5	1	WI1003	3 Gallon Tank
6	1	WI1025	Leg Base Bracket
8	1	WI1027	Tank Lid
14	1	WI1004	Pressure Relief Valve
16	2	WI1014	1/2 NPT Male x 3/8 Hose Barb
17	3	WI1009	1/2 Male NPT x 3/8 Hose Barb x 90
18	1	WI1039	11/16 Nylon Hex Nut
19	1	WI1015	11/16" Fine Thread x 3/8" HB 90
20	1	WI1008	Tee 1/2" NPT Female
21	1	WI1005	0-60 Liquid Filled Pressure Gauge
22	1	WI1006	Street Elbow 45 deg. 1/4"M x 1/4" F
26	1	WI1028	U-Bolt
29	4	S10-24x1"HHS	Pan Head Machine Screw
30	4	W#10F	Flat Washer
31	4	N10-24NYL	Nylock Nut
35	10	W5/16F	Washer
43	4	B3/8x1	Hex Bolt
44	4	N3/8N	Nut
45	4	W3/8L	Lock Washer
46	4	W3/8F	Washer
47	2	N5/16N	Nut
48	4	B5/16x1	Hex Bolt
49	1	WI1020	Strainer 100 Mesh
51	1	WI1021	Reducer Nipple 1/2 to 3/8
54	1	WI1010	3/8" MPT x 3/8" HB x 90
55	1	WI1011	3/4" NPT X 1/2" NPT REDUCER NIPPLE
56	1	WI1044	1/2" Union Valve
58	1	WI1019	Supply Hose
59	1	WI1019	Pump to Pressure Relief Hose
60	1	WI1019	Return Line
61	1	WI1019	Hose to auger
62	7	WI1035	Hose Clamp Size #6

Minden Machine Shop Inc.
1302 K Road Minden, NE
800-264-6587 / 308-832-0220

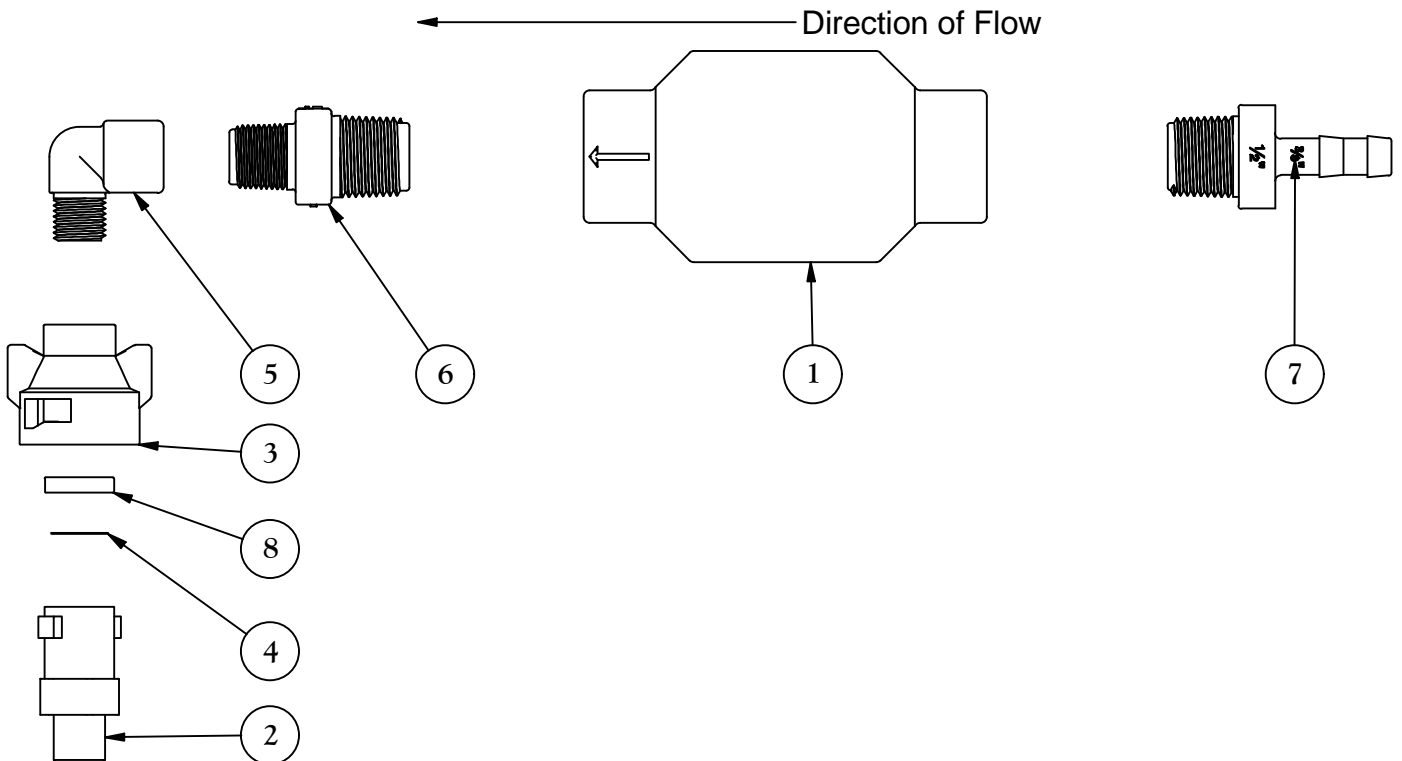
Wet Inoculator

Parts List				
ITEM	QTY	MMSI Part Number	PART NUMBER	DESCRIPTION
1	1	WI1024	210-303 12 FPT Check Valve	PVC Check Valve
2	1	WI1018	Quick TJ Nozzle Body_25 MPT_QJ1_4TT-NYB	#QJ 1/4TT-NYB - 1/4" Male NPT
3	1	WI1017	Tee Jet Adapter Cap QJ4676-1_4-NYR	#QJ4676-1/4-NYR
4	1	WI1002	Orifice Plate CP4916_12	Tee Jet Orifice Plate #CP4916_12
5	1	WI1007	SL025-90	1/4" Street Elbow
6	1	WI1022	RN050-025	1/2" to 1/4" Reducing Nipple
7	1	WI1014	HB050-038	1/2" NPT THREAD X 3/8" HOSE BARB
8	1	WI1001	Gasket CP19438_EPR	Rubber Gasket # CP19438-EPR

Note the direction of flow on the check valve

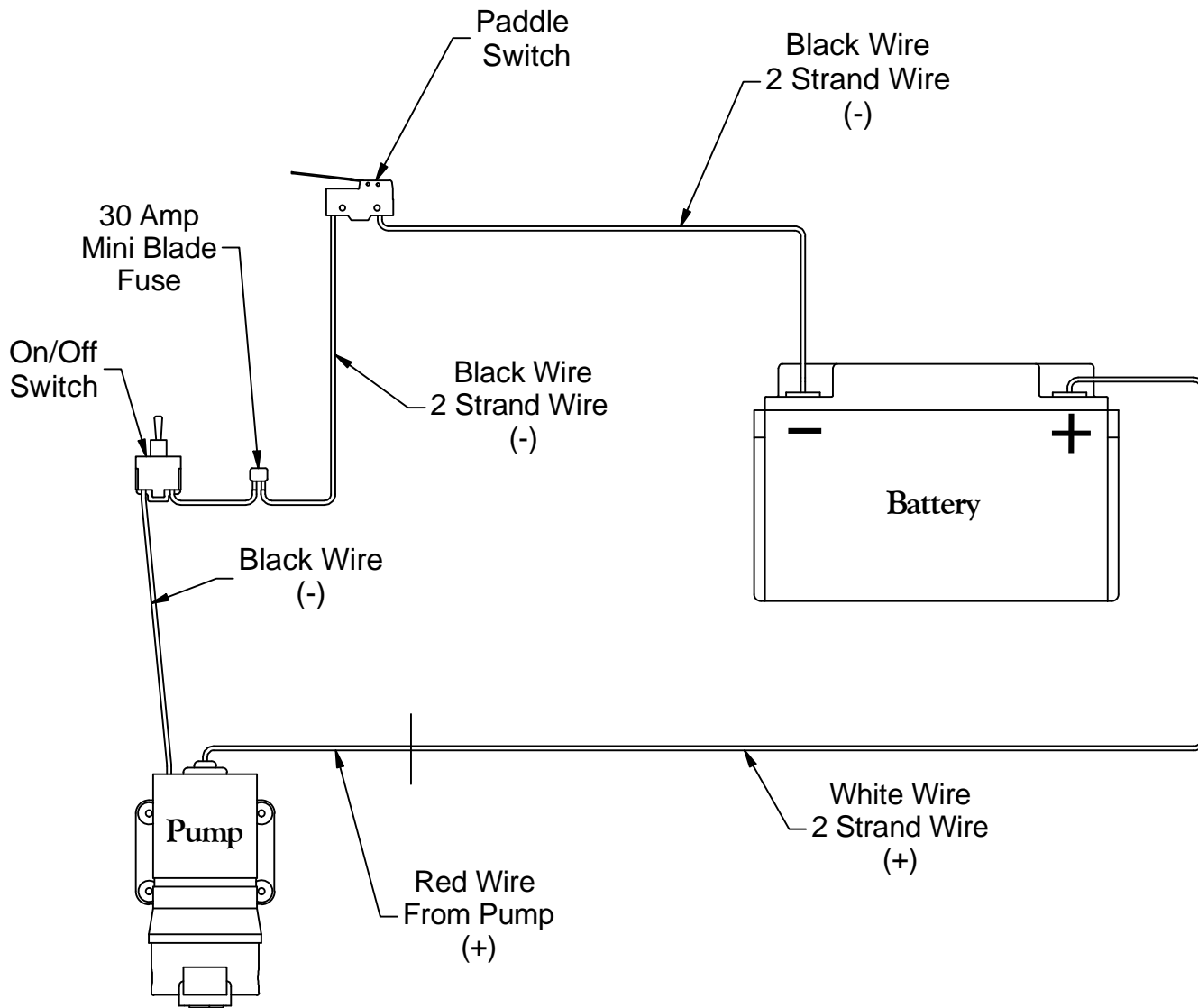


Assembly For Output To Auger



Minden Machine Shop Inc.
1302 K Road Minden, NE
800-264-6587 / 308-832-0220

Wet Inoculator System Wiring



The red wire from the pump is positive (+) and will be connected to the white wire from the 2 strand wire loom.

The white wire (+) will be connected to the positive (+) post of the battery with a $\frac{3}{8}$ " ring terminal.

The black wire from the pump is negative (-) and will be connected to one side of the on/off switch with a ring terminal.

Attach the 30 amp fuse link wire to the other side of the on/off switch using a ring terminal. The other side of the fuse link will be connected to the black wire from the 2 strand wire loom.

The black wire from the 2 strand wire loom will be connected to one side the paddle switch using a ring terminal.

From the 2 strand wire, continue to use the black wire (-) and connect it to the other side of the paddle switch. The same black wire will be connected to the negative post (-) of the battery with a $\frac{5}{16}$ " ring terminal.

To assemble the Wet Inoculator:

Use sealant tape or paste when assembling parts. The parts are plastic, so be careful when tightening so parts don't break or crack. Refer to the diagrams for assembly to aid in assembly.

1. Locate the 3 gallon tank (5), 11/16" thread x 3/8" HB x 90 fitting (19), and 11/16" nut (18). Drill a 11/16" hole in the corner of the tank. Be sure to locate correct corner (refer to drawing) and drill the hole allowing enough room for the nut to be threaded on. Once the hole is drilled, remove the tank lid and clean out the tank. Next, place the HB fitting into the hole and use the nut to retain the fitting into the tank. The finished product should match the drawing.
2. Locate the 3 gallon tank (5), 3/4" to 1/2" reducer nipple (55), 1/2" valve (56), and the 1/2" MPT x 3/8" HB x 90 fitting. Thread the reducer nipple to the valve, and then the valve to the hose barb fitting. Now thread this assembly into the tank. The assembly will need to match the assembly that is shown.
3. Locate: electric pump (2), 1/2" to 1/4" reducing nipple (51), screen (49), 1/2" MPT x 3/8" hose barb (50), and the 1/4" MPT x 3/8" hose barb x 90 fitting (54). Determine the flow of the pump (should be a flow arrow on the pump) and place the filter on the inlet side of the pump. Thread the parts together as shown. Make sure your assembly matches what is shown.
4. Locate the pressure reducing valve (14), 1/2" FPT tee (20), 1/2" MPT x 3/8" HB fitting (16), 2 each of 1/2" MPT x 3/8" HB x 90 fitting (17), 45 degree 1/4" Street Elbow (22), and 0-60 psi gauge (21). Assemble as shown in the diagram. Set aside.
5. Locate the Base Bracket (6) and the tank assembly from step 2. Mount the tank assembly to the base bracket using 4 ea of 5/16" x 1" bolts (48), 5/16" flat washers (35) and 5/16" lock washers. Tighten the bolts carefully.
6. Locate the pump assembly from step 3. Mount the pump to the base bracket using 4 of the No. 10 pan head screws with washers and nuts (29, 30, and 31). Please note how the pump is mounted on the diagram. The inlet side of the pump will point towards the supply tank. Please note that the inlet side of the pump should also have the filter attached to it. Tighten all fasteners.
7. Locate the pressure relief valve assembly from step 4. Use the 5/16" U-bolt (26), 5/16" nuts (47), and 5/16" washer (35) to mount to the base bracket. Use the diagram to locate where to mount. Be careful when tightening the u-bolt due to the pressure relief valve being made of plastic.
8. Locate the 3/8" hose. Make the supply hose from the valve to the strainer (58). Use two 3/8" hose clamps (62) to keep the hose in place. Tighten the hose clamps.
9. With the 3/8" hose make the hose (59) to connect the outlet side of the pump to the inlet side of the pressure relief valve (bottom). Use two 3/8" hose clamps (62) to keep the hose in place. Tighten the hose clamps.

10. Using the 3/8" hose, make the hose to connect the return line (60) from the pressure relief valve to the corner of the tank with the hose barb fitting. Use two 3/8" hose clamps (62) to keep the hose in place. Tighten the hose clamps.

11. Once the wet inoculator system is mounted to the seed tender using the 4 - 3/8" x 1" bolts (43), flat washers (46), lock washers and nuts (43, 44, 45, 46), make the hose (61) to connect the outlet of the pressure relief valve to the auger inlet system. Use two 3/8" hose clamps (62) to keep the hose in place. Tighten the hose clamps.

12. With the plumbing and mounting completed, next are the electrical connections. Refer to the electrical diagram for assistance. Depending upon the style of seed tender that you have, the mounting positions of the wet inoculation system will be in different locations (usually on the driver's side rear corner of the seed tender), however the wiring is essentially the same.

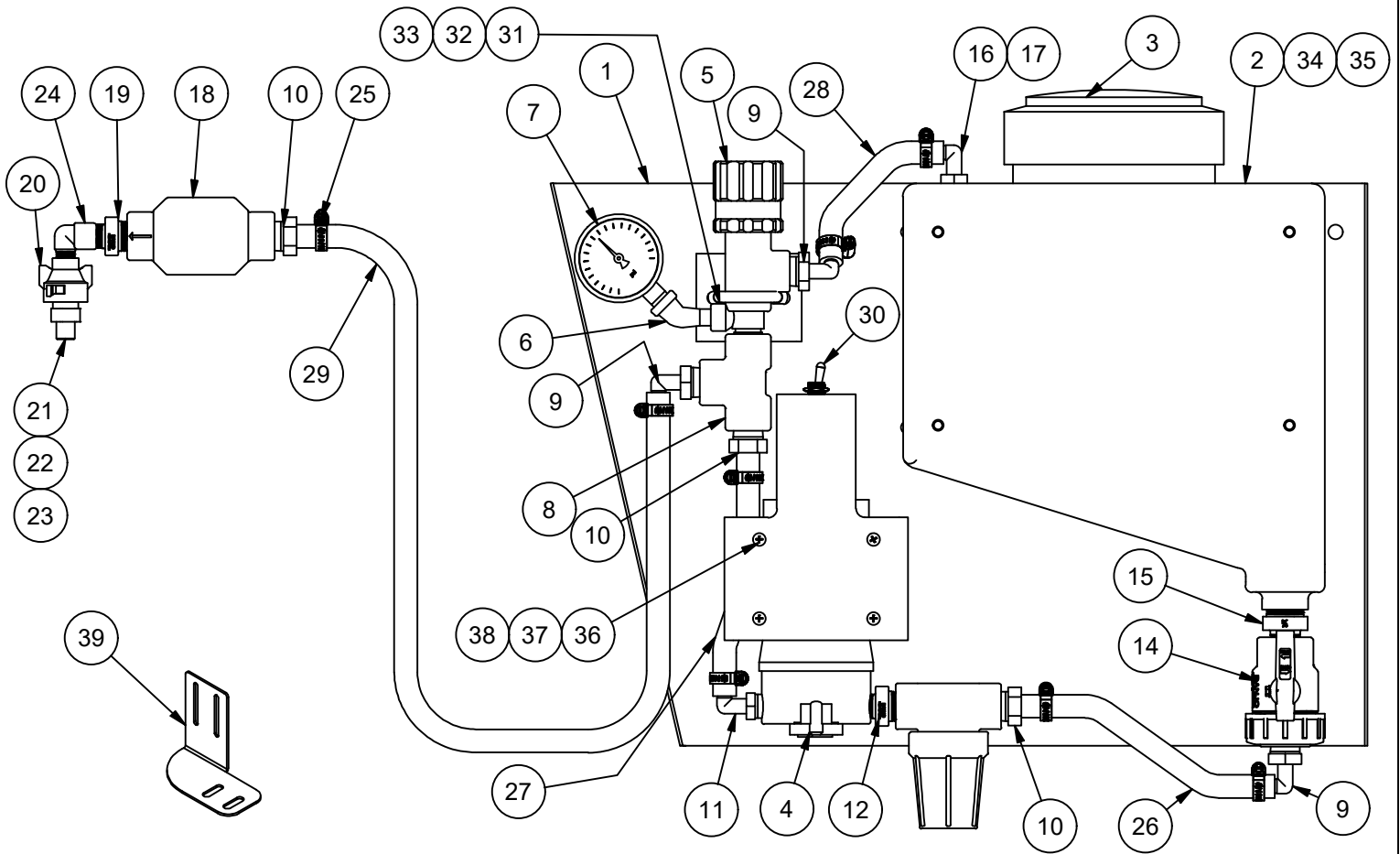
1. Begin at the pump that has a positive (+) red wire and a negative (-) black wire.
2. Attach the black wire of the pump to one side of the on/off switch of the wet inoculator.
3. Attach one wire of the fuse link to the other side of the on/off switch of the wet inoculator.
4. Locate the two strand wire loom. Remove the outer sheath to expose the two wires. Connect the white wire to the red wire of the pump.
5. Connect the black wire of the two strand wire to the other wire of the fuse link.
6. Route the two strand wire through the wire ties on the inside of the tender. Route the wire to the paddle switch and then end at the battery.
7. Where the two strand wire loops at the paddle switch, cut the outer sheath and remove. There should be two wires (one white and one black) that run from the paddle switch to the battery.
8. At the paddle switch, cut the black wire (leave enough room to strip the wire) attach the black wire end from the two strand wire to one side of the paddle switch. With the remaining black wire that was cut, attach this to the other side of the paddle switch and route the battery. Attach the black wire to the negative post of the battery with a 5/16" eyelet connector.
9. Locate the white wire from the two strand wire and connect this wire to the positive post of the battery using a 3/8" eyelet connector.
10. This will complete the wiring of the wet inoculator.

13. Start the engine, turn the wet inoculator switch to on and test the system. The pump should start when the engine rpm is increased.

14. If you experience any difficulty, please contact Patriot Equipment for assistance 1-800-264-6587.

ST-WI-1

Kit for ST-100, ST-110, ST-200,
ST-220, ST-330

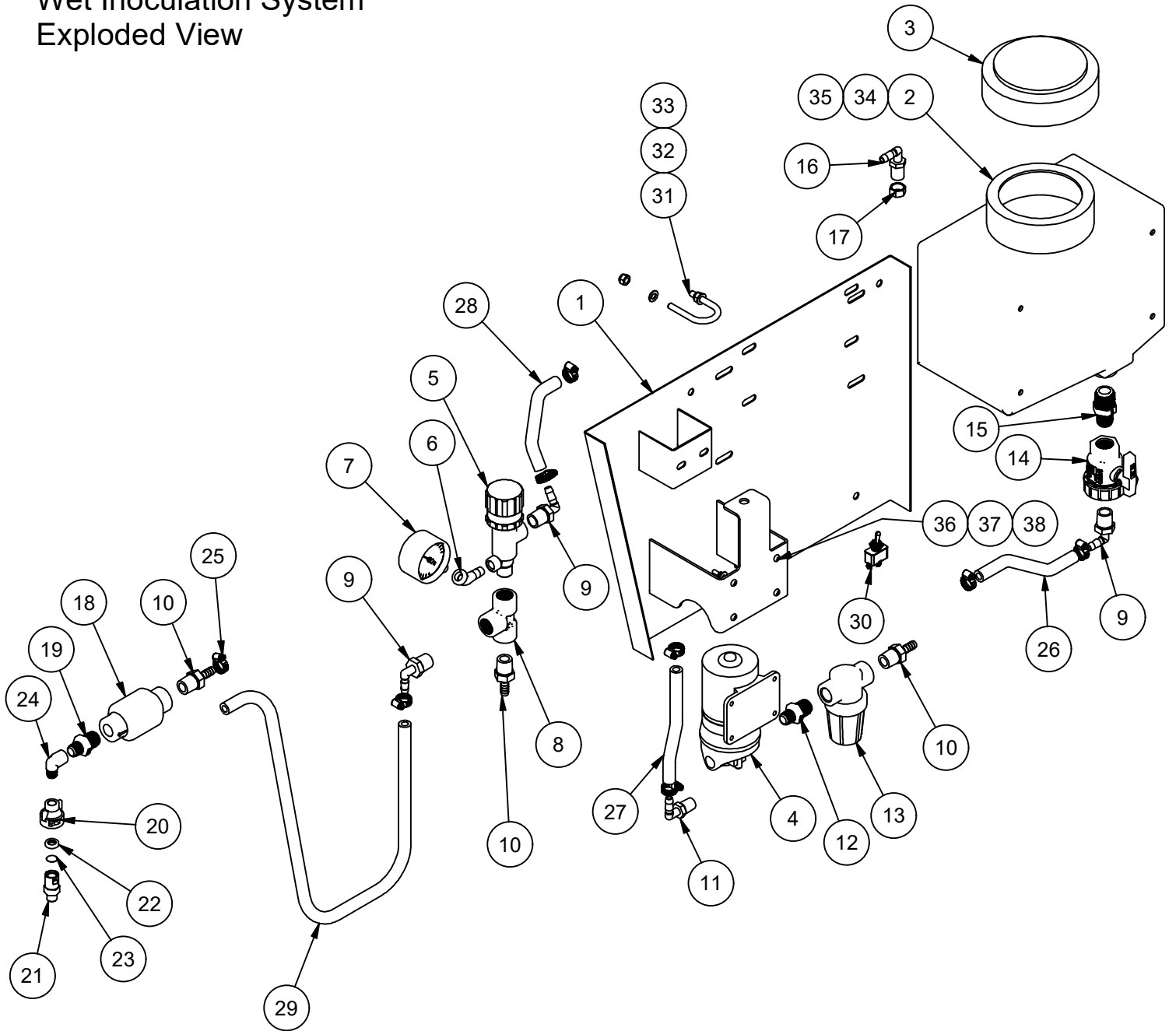


Minden Machine Shop Inc.
1302 K Road Minden, NE
308-832-0220

Wet Inoculation Parts				Wet Inoculation Parts			
ITEM	QTY	PART NUMBER	DESCRIPTION	ITEM	QTY	PART NUMBER	DESCRIPTION
1	1	IT-CP-A020	Wet Inoc. Base Weldment	30	1	WI1030	Switch
2	1	WI1003	3 Gallon Tank	31	1	WI1028	U-Bolt
3	1	WI1027	3 Gallon Tank Lid	32	8	W5/16F	Plain Washer
4	1	WI1000	#8000-543-250 Shurflo	33	4	N5/16NYL	5/16 Std NC Nylock Nut
5	1	WI1004	Pressure Relief Valve	34	4	B5/16x.75	Hex Bolt
6	1	WI1006	45 Degree Elbow	35	4	W5/16L	Lock Washer
7	1	WI1005	0-60 psi Gauge	36	4	S10-24x1	Pan Head Screws
8	1	WI1008	1/2" Tee			PHS	
9	3	WI1009	1/2" Male NPT x 3/8" Hose Barb	37	4	N10-24NYL	Nylock Nut
10	3	WI1014	1/2"MPT x 3/8" HB	38	4	W#10F	Plain Washer
11	1	WI1010	3/8"MNPT x 3/8" HB	39	1	ST-CP-P0244	Paddle Switch Mount
12	1	WI1021	1/2-3/8 Red. Nipple	40	2	B5/16x1.0	Hex Bolt
13	1	WI1020	100 Mesh Filter	41	2	B1/4x1.0	Hex Bolt
14	1	WI1045	1/2" Union Valve	42	2	N1/4N	Nut
15	1	WI1011	3/4 - 1/2 NPT RED. NIPPLE	43	2	W1/4L	Lock Washer
16	1	WI1015	11/16" Fine Thread x 3/8" HB 90	44	20	WI1019	EPDM38 - 3/8 EPDM Sprayer Hose (Items 26, 27, 28, & 29)
17	1	WI1061	Nylon Nut				
18	1	WI1024	Check Valve	45	2	TR1928	5/16" Ring Terminal
19	1	WI1022	1/2-1/4 Red. Nipple	46	2	TR1938	3/8" Ring Terminal
20	1	WI1017	#QJ4676-1/4-NYR	47	2	TR1942	Bullet Connector Stud
21	1	WI1018	#QJ 1/4TT-NYB - 1/4" Male NPT	48	2	TR1943	Bullet Connector Socket
22	1	WI1001	Rubber Gasket # CP19438-EPR	49	14	TR2112	2 Strand Wire
23	1	WI1002	Tee Jet Orifice Plate	50	1	WI1032	Paddle Switch
			#CP4916_12	51	1	WI1031	Paddle Switch Boot
24	1	WI1007	1/4" 90 DEG. STREET ELBOW	52	2	S6-32x1.5	6-32x1-1/2 Machine Screw
25	8	WI1035	#6 Hose Clamp	53	2	N6-32NL	Nylock Nut
26	1	GA-3204EB-3 8 V2S	Valve To Pump Hose	54	2	TR1908	16-14 ga #10 Stud Ring Terminal
27	1	GA-3204EB-3 8 P2PR	Pump to Pressure Relief Hose				
28	1	GA-3204EB-3 8 PR2T	Pressure Relief to Tank Hose				
29	1	GA-3204EB-3 8 PR2A	Pressure Relief to Auger Hose				

Minden Machine Shop Inc.
1302 K Road Minden, NE
308-832-0220

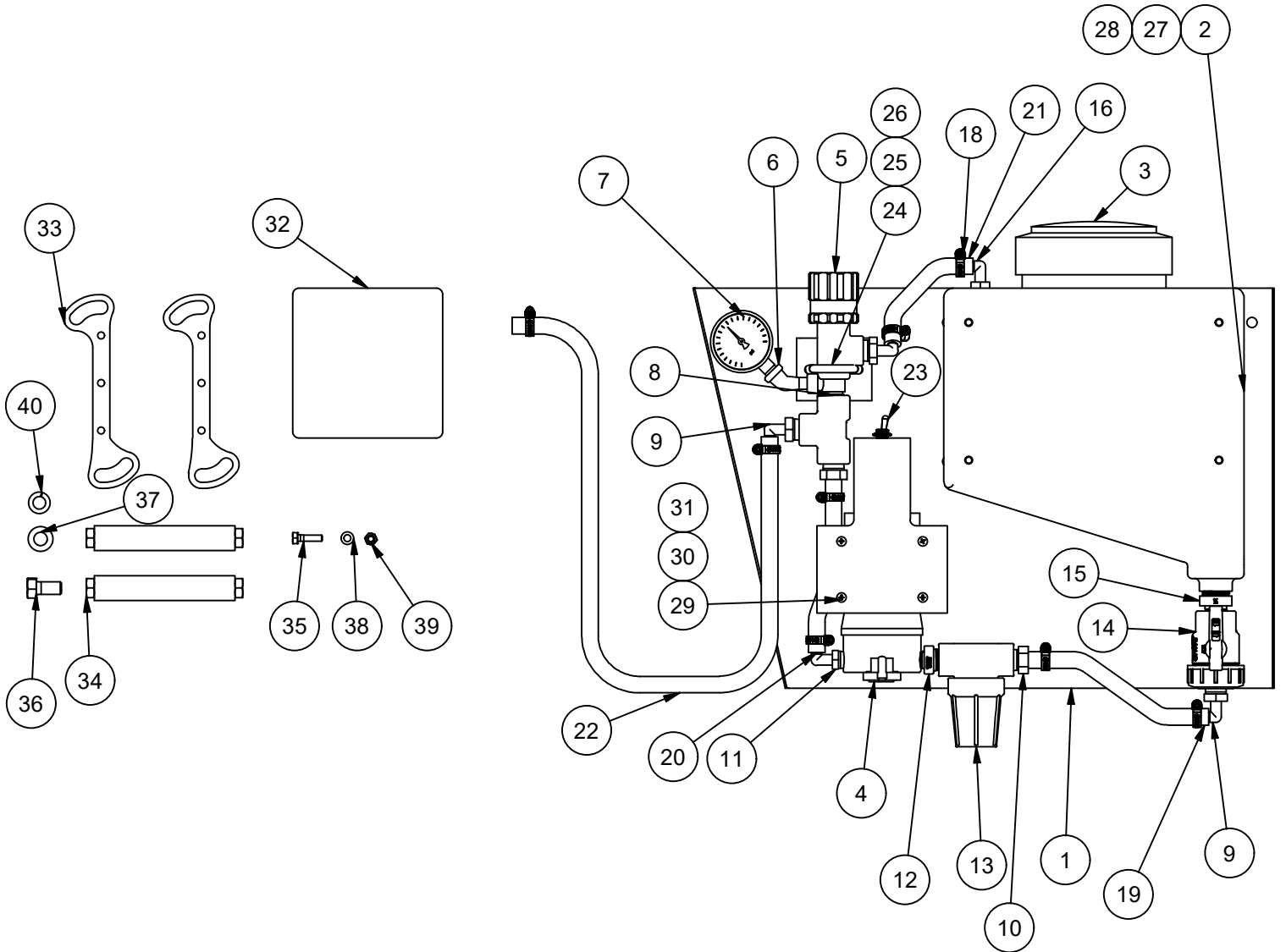
Wet Inoculation System Exploded View



Minden Machine Shop Inc.
1302 K Road Minden, NE
308-832-0220

ST-WI-2

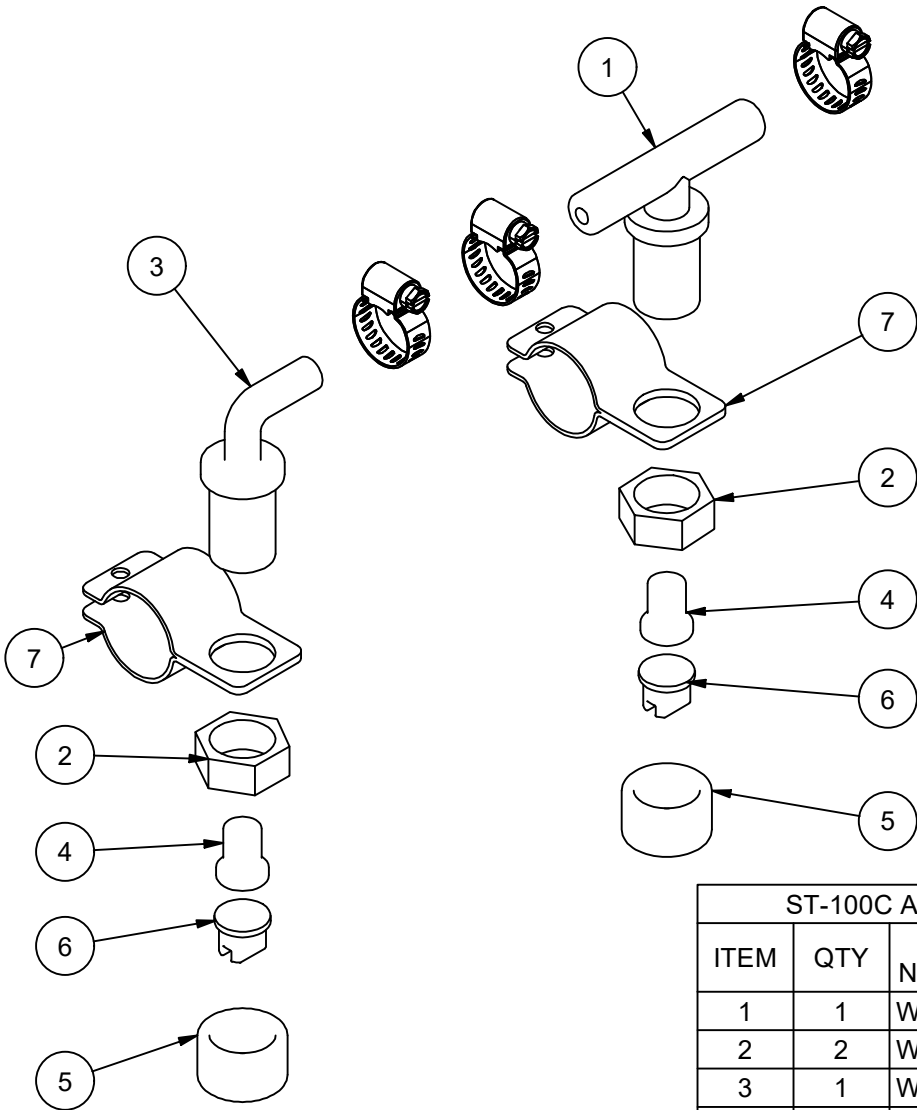
Kit for ST-100C, ST-245C



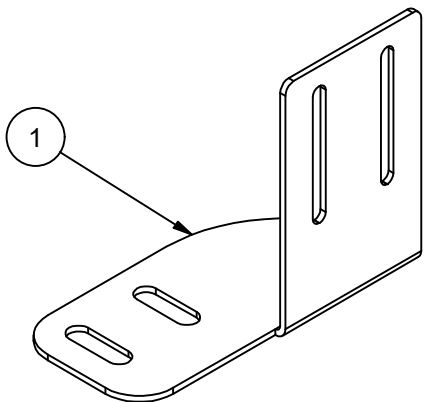
Minden Machine Shop Inc.
1302 K Road Minden, NE
308-832-0220

ST-100C And ST-245C Wet Inoculation Kit				ST-100C And ST-245C Wet Inoculation Kit			
ITEM	QTY	PART NUMBER	DESCRIPTION	ITEM	QTY	PART NUMBER	DESCRIPTION
1	1	IT-CP-A020	Wet Inoc. Base Weldment	27	6	B5/16x.75	Hex Bolt
2	1	WI1003	3 Gallon Tank	28	4	W5/16L	Lock Washer
3	1	WI1027	3 Gallon Tank Lid	29	4	S10-24x1PHS	Pan Head Screws
4	1	WI1000	#8000-543-250 Shurflo	30	4	N10-24NYL	10 Std NC Nylock Nut
5	1	WI1004	Pressure Relief Valve	31	4	W#10F	Flat Washer
6	1	WI1006	45 Degree Elbow	32	1	Plumbing Kit	Wet Inoculation Plumbing Kit
7	1	WI1005	0-60 psi Gauge				
8	1	WI1008	1/2" Tee	33	2	ST-245D-P0043	Wet Innoc Bracket
9	3	WI1009	1/2" Male NPT x 3/8"	34	2	ST-245D-A0006	Wet Innoc Tube Weldment
			Hose Barb	35	6	B1/4x1	Hex Bolt
10	2	WI1014	1/2"MPT x 3/8" HB	36	4	B1/2x1	Hex Bolt
11	1	WI1010	3/8"MNPT x 3/8" HB	37	4	W1/2F	Flat Washer
12	1	WI1021	1/2-3/8 Red. Nipple	38	6	W1/4F	Flat Washer
13	1	WI1020	100 Mesh Screen	39	6	N1/4NYL	1/4 Std NC Nylock Nut
14	1	WI1045	1/2" Union Valve	40	4	W1/2L	Lock Washer
15	1	WI1011	3/4-1/2 Reducer Nipple	41	2	B5/16x1.0	Hex Bolt
16	1	WI1015	11/16" Fine Thread x 3/8" HB 90	42	20	WI1019	EPDM38 - 3/8 EPDM Sprayer Hose (Items 19, 20, 21, 22)
17	1	WI1061	Nylon Nut				
18	8	WI1035	#6 Hose Clamp	43	2	TR1928	5/16" Ring Terminal
19	1	GA-3204EB-38 V2S	Valve To Pump	44	2	TR1938	3/8" Ring Terminal
				45	2	TR1942	Bullet Connector Stud
20	1	GA-3204EB-38 P2PR	Pump to Pressure Relief	46	2	TR1943	Bullet Connector Socket
				47	14	TR2112	2 Strand Wire
21	1	GA-3204EB-38 PR2T	Pressure Relief to Tank	48	1	WI1032	Paddle Switch
				49	1	WI1031	Paddle Switch Boot
22	1	GA-3204EB-38 PR2A	Pressure Relief to Auger	50	2	S6-32x1.5	6-32x1-1/2 Machine Screw
23	1	WI1030	Switch	51	2	N6-32NL	Nylock Nut
24	1	WI1028	U-Bolt	52	2	TR1908	16-14 ga #10 Stud Ring Terminal
25	4	W5/16F	Flat Washer				
26	4	N5/16NYL	Nylock Nut				

Minden Machine Shop Inc.
1302 K Road Minden, NE
308-832-0220



ST-100C And ST-245C Plumbing Kit Wet Inoculator			
ITEM	QTY	PART NUMBER	DESCRIPTION
1	1	WI1042	3/8 Double Hose Shank Nozzle Body
2	2	WI1039	Nozzle Nut 11/16"
3	1	WI1038	3/8 Single Hose Shank Nozzle Body
4	2	WI1037	Poly 5# Check w/ 50 Mesh Screen
5	2	WI1041	Nylon Nozzle Cap
6	2	WI1058	XR8001 Flat Spray Tip
7	2	WI1040	Vari-Spacing Clamp 1" Pipe
8	3	WI1035	#6 Hose Clamp

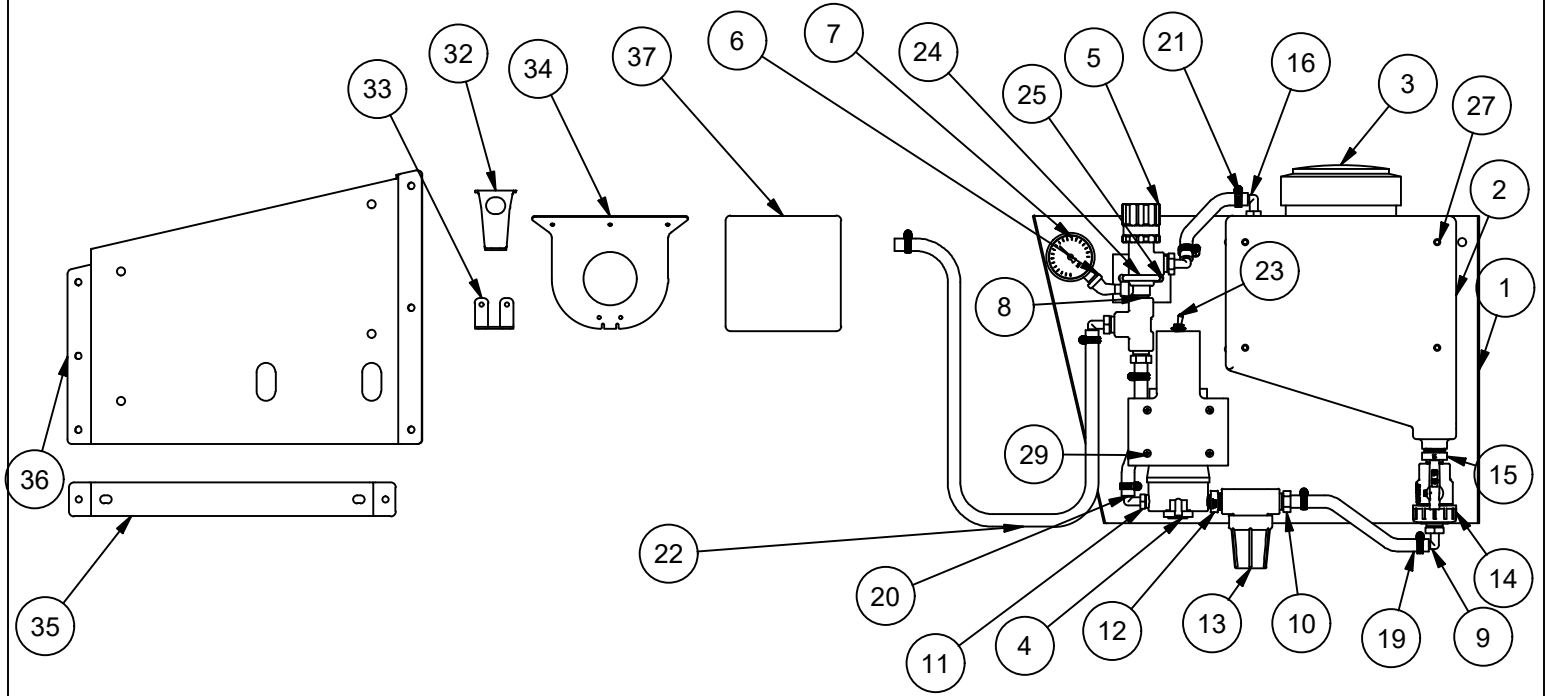


Parts List			
ITEM	QTY	PART NUMBER	DESCRIPTION
1	1	ST-CP-P0244	Paddle Switch Mount (Retrofit)

Minden Machine Shop Inc.
 1302 K Road Minden, NE
 308-832-0220

ST-WI-3

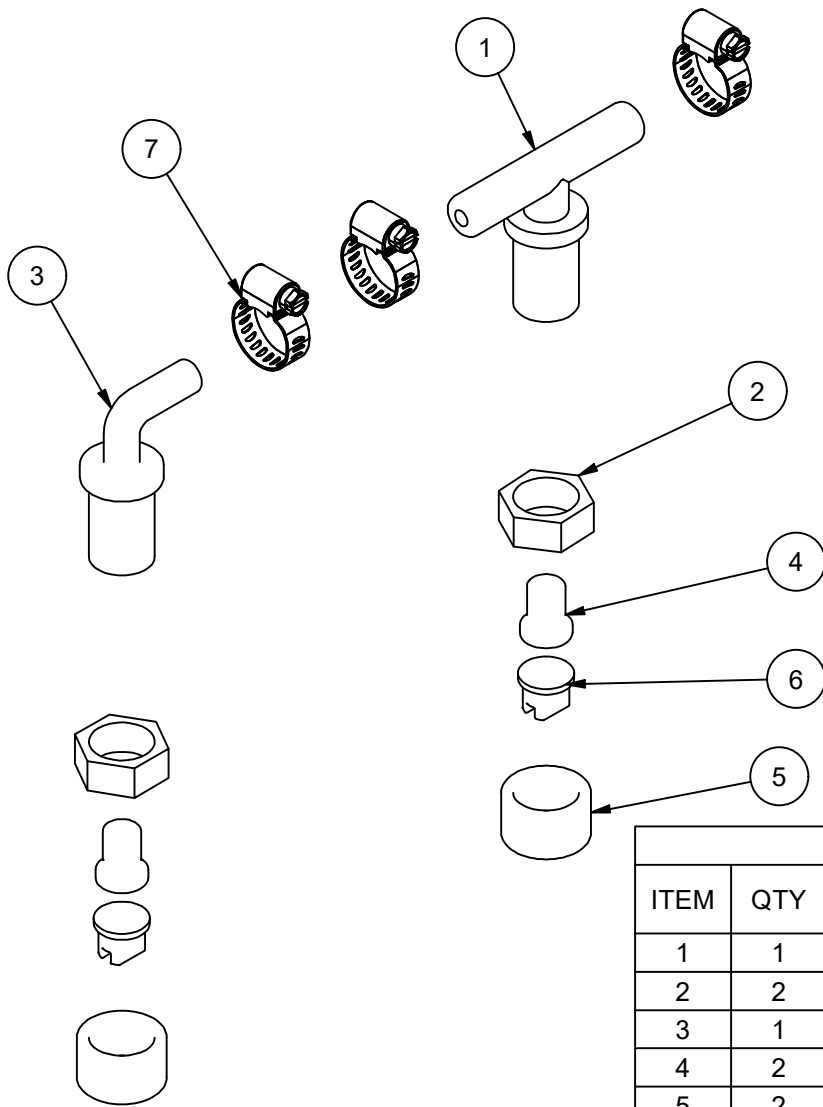
Kit for ST-345C, ST-445C



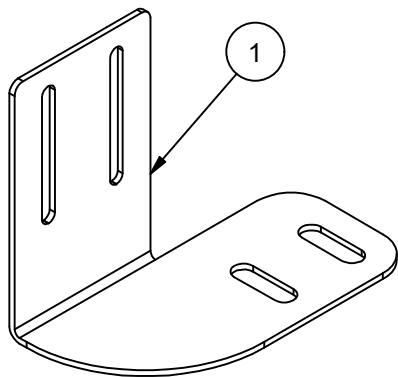
Minden Machine Shop Inc.
1302 K Road Minden, NE
308-832-0220

ST-345 And ST-445 Wet Inoculation Kit				ST-345 And ST-445 Wet Inoculation Kit			
ITEM	QTY	PART NUMBER	DESCRIPTION	ITEM	QTY	PART NUMBER	DESCRIPTION
1	1	IT-CP-A020	Wet Inoc. Base Weldment	31	4	W#10F	Flat Washer
2	1	WI1003	3 Gallon Tank	32	1	ST-345D-P0077	Front Sprayer Mounting Bracket
3	1	WI1027	3 Gallon Tank Lid				
4	1	WI1000	#8000-543-250 Shurflo	33	1	ST-345D-P0078	Rear Sprayer Mounting Bracket
5	1	WI1004	Pressure Relief Valve				
6	1	WI1006	45 Degree Elbow	34	1	ST-345D-P0079	Chute Top Cover for Dry & Wet Inoc
7	1	WI1005	0-60 psi Gauge				
8	1	WI1008	1/2" TEE	35	1	ST-345D-P0080	Stabilizer Bracket for Wet Inoc
9	3	WI1009	1/2" Male NPT x 3/8" Hose Barb				
10	2	WI1014	1/2"MPT x 3/8" HB	36	1	ST-345D-P0081	Mounting Bracket for Wet Inoc
11	1	WI1010	3/8"MNPT x 3/8" HB				
12	1	WI1021	1/2-3/8 Reducer Nipple	37	1	Plumbing Kit	Wet Inoculation Plumbing Kit
13	1	WI1020	100 Mesh Filter				
14	1	WI1045	1/2" Union Valve	38	10	B5/16X1.0	Hex Bolt
15	1	WI1011	3/4-1/2 Reducer Nipple	39	10	W5/16L	Lock Washer
16	1	WI1015	11/16" Fine Thread x 3/8" HB 90	40	10	W5/16F	Flat Washer
17	1	WI1061	Nylon Nut	41	2	SC1/4x3/4SELF DRILL	Self Drilling Screw
18	8	WI1035	#6 Hose Clamp				
19	1	GA-3204EB-38 V2S	Valve To Pump	42	20	WI1019	EPDM38 - 3/8 EPDM Sprayer Hose (Items 19, 20, 21 & 22)
20	1	GA-3204EB-38 P2PR	Pump to Pressure Relief				
21	1	GA-3204EB-38 PR2T	Pressure Relief to Tank	43	2	TR1928	5/16 Ring Terminal
				44	2	TR1938	3/8 Ring Terminal
22	1	GA-3204EB-38 PR2A	Pressure Relief to Auger	45	2	TR1942	Bullet Connector Stud
				46	2	TR1943	Bullet Connector Socket
23	1	WI1030	Switch	47	14	TR2112	2 Strand Wire
				48	1	WI1032	Paddle Switch
24	1	WI1028	U-Bolt	49	1	WI1031	Paddle Switch Boot
				50	2	S6-32X1.5	Machine Screw
25	6	W5/16F	Flat Washer	51	2	N6-32NL	Nylock Nut
26	4	N5/16NYL	Nylock Nut				
27	4	B5/16x.75	Hex Bolt	52	2	TR1908	16-14 ga #10 Stud Ring Terminal
28	4	W5/16L	Lock Washer				
29	4	S10-24x1PHS	Pan Head Screws				
30	4	N10-24NYL	Nylock Nut				

Minden Machine Shop Inc.
1302 K Road Minden, NE
308-832-0220



ST-345 And ST-445 Plumbing Kit			
ITEM	QTY	PART NUMBER	DESCRIPTION
1	1	WI1042	3/8 Double Hose Shank Nozzle Body
2	2	WI1039	Nozzle Nut 11/16"
3	1	WI1038	3/8 Single Hose Shank Nozzle Body
4	2	WI1037	Poly 5# Check w/ 50 Mesh Screen
5	2	WI1041	Nylon Nozzle Cap
6	2	WI1058	XR8001 Flat Spray Tip
7	3	WI1035	#6 Hose Clamp



Parts List			
ITEM	QTY	PART NUMBER	DESCRIPTION
1	1	ST-CP-P0244	Paddle Switch Mount (Retrofit)

Minden Machine Shop Inc.
 1302 K Road Minden, NE
 308-832-0220

The seed treater comes with a metering disc (orifice) that will help regulate the amount of inoculant that will be applied to the seed. Use the guide below to assist in determining the pressure the treater should be set at.

Seed Treatment Guide

IF YOU NEED THIS OZ PER 50 LBS	TOTAL OZ PER MINUTE OF LIQUID AT 400 LB PER MINUTE OF SEED FLOW	SET PRESSURE GUAGE AT THIS PSI USING A CP4916-39
1	8	4.4
1.1	8.8	5.3
1.2	9.6	6.3
1.3	10.4	7.4
1.4	11.2	8.5
1.5	12	9.8
1.6	12.8	11.1
1.7	13.6	12.6
1.8	14.4	14.1
1.9	15.2	15.7
2	16	17.4
2.1	16.8	19.2
2.2	17.6	21.1
2.3	18.4	23.0
2.4	19.2	25.1
2.5	20	27.2

This chart is only to be used as a guide. Manual calibration must be done to insure that the weight per minute from the auger is known exactly and the ounces per minute from the treater are known exactly.

Minden Machine Shop Inc

LIMITED WARRANTY

Minden Machine Shop Inc warrants all products manufactured by it to be free of defect in material and workmanship for a period of one (1) year from the date of purchase.

This Minden Machine Shop Inc. warranty does not cover:

1. Parts and accessories supplied by Minden Machine Shop Inc. but manufactured by others. Minden Machine Shop Inc. will facilitate the other manufacturer warranty for the benefit of the purchaser but will not be bound thereby (example: augers, motors, trailers, tanks, etc.).
2. Products that have been altered by anyone other than a Minden Machine Shop Inc. employee or are used by the purchaser, for purposes other than what was intended at time of manufacture or used in excess of the "built specifications".
3. Products that are custom manufactured by Minden Machine Shop Inc. utilizing the purchaser's design which deviates from Minden Machine Shop Inc. normal production line manufactured or customized features of the products.
4. Malfunctions or damages to the product from misuse, negligence, customer alteration, accidents or product abuse due to incoming material or poor material flow ability or lack of required performance or required maintenance (e.g., poor material flow ability caused by incoming wet fertilizer or hot soybean meal, etc).
5. Loss of time, inconvenience, loss of material, down time or any other consequential damage.
6. Product use for a function that is different than designed intent (e.g., storing soybean meal in grain bin, unacceptable material in the bin such as hot bean meal when product originally designed for other application, etc).
7. Minden Machine Shop Inc is not responsible for any equipment that this product is attached to or mounted on.

To activate this warranty, the purchaser must make contact in writing with Minden Machine Shop Inc. within one (1) year of date of purchase. After contact, Minden Machine Shop Inc. has the right to determine the cause and qualify the legitimacy of the claim. Minden Machine Shop Inc., upon acceptance of a warranty claim, shall have a reasonable time to plan any repair or replacement and may affect repair or replacement out of its factory or through contract with a local repair service. If a purchaser after warranty notice is made, chooses to make the repair itself, Minden Machine Shop Inc. must approve any expenses before they are incurred to be responsible for customer reimbursement. Minden Machine Shop Inc. shall be liable on a warranty claim for repair or replacement of any defective products and this is the purchaser's sole and exclusive remedy. Minden Machine Shop Inc. will not be liable for any other or further remedy including claims for personal injury, property damage or consequential damage. The law of the State of Nebraska shall govern and any such claim and any issues with regard to the same shall be resolved in the Nebraska District Court for the county of Kearney.

RETURN OF MERCHANDISE

Merchandise may not be returned without written approval from the factory. All returns must have a return authorization number. Obtain this number before the return and show it on all return items. A 15% restocking charge is made on merchandise returned. Returned merchandise must be shipped pre-paid.

RECEIVING MERCHANDISE AND FILING CLAIMS

When receiving merchandise it is important to check both the number of parts and their description with packing slip. The consignee must make all claims for freight damage or shortage within 10 days from the date of delivery.

When the material leaves the factory it becomes the property of the consignee. It is the responsibility of the consignee to file a claim on any possible damage or loss. Please list your preferred routing on purchase orders.

MODIFICATIONS

It is the policy of Minden Machine Shop Inc. to improve its products whenever possible and practical to do so. We reserve the right to make changes, improvements and modifications at any time without incurring the obligation to make such changes, improvements and modifications on any equipment sold previously.

WARRANTY REGISTRATION

To register equipment, or file a claim, copy and paste the words on this page into an email or word document, fill out the appropriate information completely, and email it to larry@mindenmachine.com with the subject as EQUIPMENT WARRANTY, or fill it out and fax it to 308-832-1340.

Dealer Information: Not Applicable, check here: []

Dealer Name:

Address:

City:

State:

Zip Code:

Phone #:

Email:

End User Information:

Purchaser:

Address:

City:

State:

Zip Code:

Phone #:

Email:

Equipment:

Serial #:

Date Of Purchase: / /